



DISPENSERS



PUMPS



METERS



NOZZLE



FILTRATION



FLUID MONITORING

EX50

FEATURES

- COMPACT AND STURDY DESIGN
- FLANGED COMPONENTS
- ANTI-NOISE FILTER
- THERMAL PROTECTION
- SUCTION UNIT WITH INTEGRATED FILTER (DRUM VERSION)
- UL VERSION AVAILABLE

The PIUSI EX50 is a compact and sturdy pump that satisfies the strictest ATEX/IECEx requirements concerning the usage of this equipment in potentially explosive atmospheres. It is equipped with built-in bypass valve, non-return valve and anti-noise filter.

PERFORMANCE

UP TO

50 L/MIN

FLOW-RATE

AC/DC

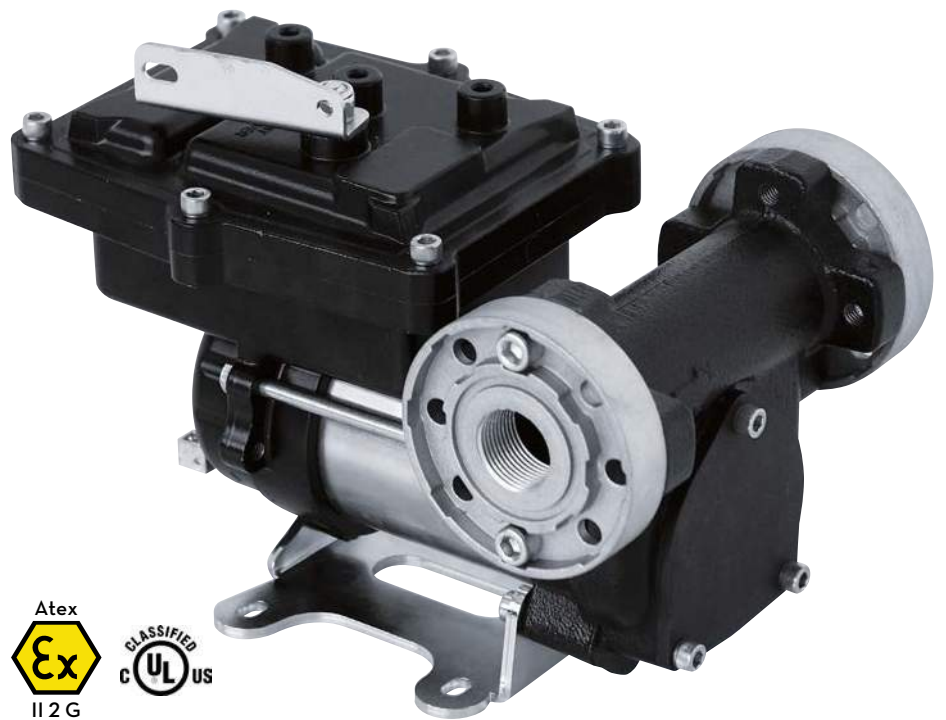
VOLTAGE

POWER

30 MIN

(30MIN OFF)

DUTY CYCLE





EX50 PUMP



OUR PUMPS COMPLIES WITH THE FOLLOWING MARKING ATEX/IECEx
EX50 EX75 EX50 EX75

II	2	G	Ex	d	db	IIA	IIB	T4	Gb
GROUP	CATEGORY	TYPE OF EXPLOSIVE ATMOSPHERE	PERMANENT PREFIX	PROTECTION METHOD	GAS GLASS	TEMPERATURE CLASS	EQUIPMENT PROTECTION LEVEL		

PACKAGING

CODE	WEIGHT		PACKAGING			N. BOXES / EUROPALLET	
	KG	LBS	MM	INCH	PCS/BOX		
FO0371000	6,9	15,2	345X175X225	-	1	60	84
FO037300A	6,9	15,2	345X175X225	-	1	60	84



HOSE REELS



ACCESSORIES



MERCHANDISE



AIR



ANTIFREEZE



AdBlue®



BIODIESEL



DIESEL



FOOD



GASOLINE



GREASE



KEROSENE



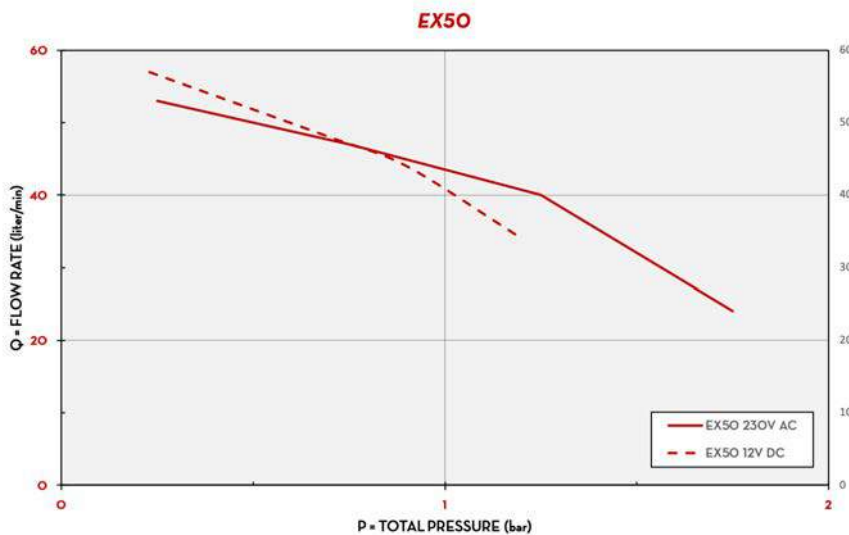
OIL



WATER



WINDSCREEN

CHART

TYPE OF FLUID DIESEL

TEMPERATURE 23 °C

IN THE BOX

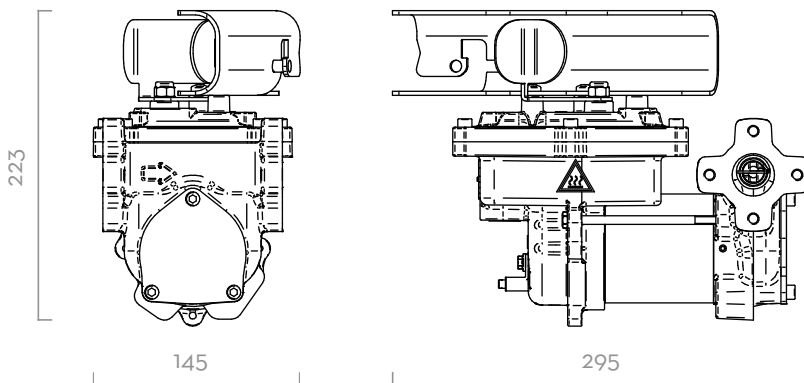
- EX50 PUMP
- FLANGED CONNECTIONS
- INSTRUCTION MANUAL

DETAILS

ON/OFF SWITCH



FLANGED CONNECTIONS

DIMENSIONS

Dimensions expressed in millimeters

MATERIALS

- BODY: CAST IRON
- ROTOR: SINTERED STEEL
- VANES: PPS
- SEAL: VITON
- SHAFT: STEEL

**PUMP**

- MAX 6M (20FT),
- SUCTION HOSE Ø 1" MIN,
- MAX SUCTION HEIGHT:
 - 2M (7FT)
 - W/O NON RETURN VALVE
 - 4M (14FT) W NON RETURN VALVE

**TANK****TECHNICAL DATA**

CODE	DESCRIPTION	FLUIDS TYPE	FLOW-RATE		VOLTAGE			DUTY CICLE	RPM	INLET
			L/MIN	GPM	AC VOLT/HZ	POWER WATT	AMP. MAX.			
FO0371000	EX50 12V DC ATEX	D G K	50	13	12	250	21	1"	2700	1"
FO037300A	EX50 230V AC ATEX	D G K	50	13	230/50-60	250	1	1"	2700	1"

(*) UPON REQUEST IT IS AVAILABLE WITH DIFFERENT VOLTAGES AND 60 HZ FREQUENCY. THE PUMP CAN BE USED ONLY WITH THE FOLLOWING FLUIDS: DIESEL, KEROSENE, PETROL, PETROL ALCOHOL MIXED MAX 15%, AVGAS 100/100LL (PUMP ONLY), JET A/A1 (PUMP ONLY) - ASPEN 2/4

EX50