



DISPENSERS



PUMPS



METERS



NOZZLE



FILTRATION



FLUID MONITORING

K600 B/3

FEATURES

- BETTER VISIBILITY
- ADJUSTABLE FLANGES
- ROTATING DISPLAY
- STANDARD BATTERY
- PULSE-OUT VERSION AVAILABLE
- IP66

The PIUSI K600 B/3 is an oval gear meter suitable for monitoring the delivery of diesel, biodiesel and antifreeze. This special version includes a large 80mm built-in digital display that can be rotated to suit every application. Among its features: 5-digit partial total and resettable total. Pulser version available.

PERFORMANCE

UP TO

100 L/MIN

FLOW-RATE

0,2%

REPEATIBILITY

± 0,5%

ACCURACY



K600 B/3 METER



K600 B/3 WITH PULSE-OUT



PACKAGING

CODE	WEIGHT		PACKAGING		
	KG	LBS	MM	INCH	PCS/BOX
METERS					
FOO491000	2	4,4	200X120X140	79X4,7X5,5	1
PULSE OUT METER					
FOO492000	2	4,4	200X120X140	79X4,7X5,5	1



HOSE REELS



ACCESSORIES



MERCHANDISE



AIR



ANTIFREEZE



AdBlue®



BIODIESEL



DIESEL



FOOD



GASOLINE



GREASE



KEROSENE



OIL



WATER



WINDSCREEN

CHART

TYPE OF FLUID DIESEL

TEMPERATURE 4 °C

IN THE BOX

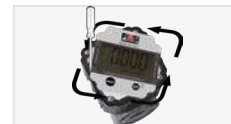
- K600 B/3 METER
- FLANGES
- INSTRUCTION MANUAL

DETAILS

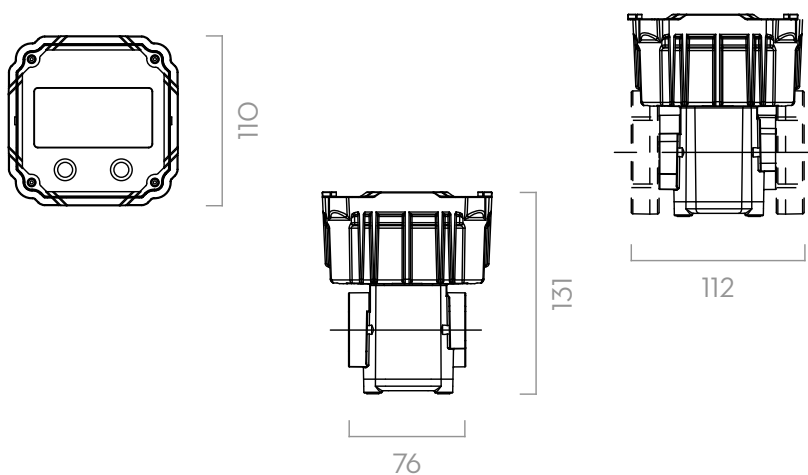
5-DIGIT DISPLAY



OVAL GEARS



BIG AND ROTATING DISPLAY

DIMENSIONS

Dimensions expressed in millimeters

MATERIALS

- BODY: ALUMINIUM
- GEARS: TECHNOPOLYMER

TECHNICAL DATA

CODE	DESCRIPTION	FLUIDS TYPE	FLOW-RATE		PRESSURE		BATTERY N°2 X 1,5V (INCLUDED)	FLANGE	INLET / OUTLET	INLET FILTER
			L/MIN	GPM	BAR	PSI				
METERS										
FO0491000	K600 B/3	D	10 - 100	2,64 - 26,4	30	426	YES	YES	1" BSP	YES
PULSE OUT METER										
FO0492000	K600 B/3 WITH PULSE-OUT	D	10 - 100	2,64 - 26,4	30	426	YES	YES	1" BSP	YES

UPON REQUEST AVAILABLE IN NPTF VERSION AND DISPLAY IN GALLON/QUARTER OR PRINT

K600 B/3