



KIT LUBE



DISPENSERS



PUMPS



METERS



NOZZLE METERS



NOZZLES

# K40

## FEATURES

- SMALL SIZE
- NO BATTERY NEEDED
- EASY TO RESET
- NON RESETTABLE TOTALIZER
- SHOCK-ABSORBING PROTECTION
- IDEAL FOR MOBILE USE
- READY TO USE
- PARTIAL AND FULL TOTALIZER
- VERSATILE

The Piusi K40 is a mechanical oval gear meter suitable for medium/high viscosity oils, without any need for calibration. It's the simplest way to measure a wide range of lubricants.

## PERFORMANCE

up to

**30 L/MIN**

(up to 7,8 gpm)

FLOW RATE

**± 1%**

ACCURACY

**0,2%**

REPEATABILITY

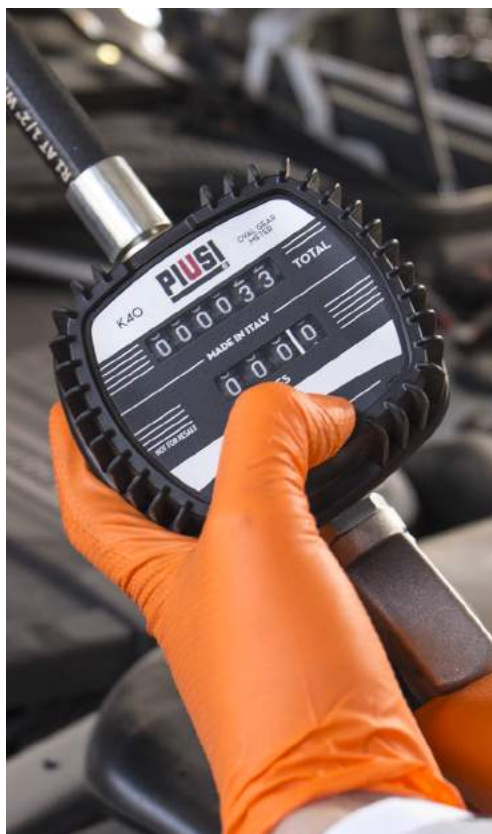
up to

**2000 CST**

VISCOSITY



K40



## PACKAGING

CODE	WEIGHT		PACKAGING			N. BOXES/ EUROPALLET	
	KG	LBS	MM	PCS/PALLET	PCS/BOX		
FOO490020	0,78	1,7	160X115X135		1	126	144
FOO490010	0,78	1,7	160X115X135		1	126	144



WASTE OIL EQUIPMENTS



FILTRATION



FLUID MONITORING



HOSE REELS



ACCESSORIES



MERCHANDISE

INDEX



AIR



ANTIFREEZE



AdBlue®



BIODIESEL



DIESEL



FOOD



GASOLINE



GREASE



KEROSENE



OIL

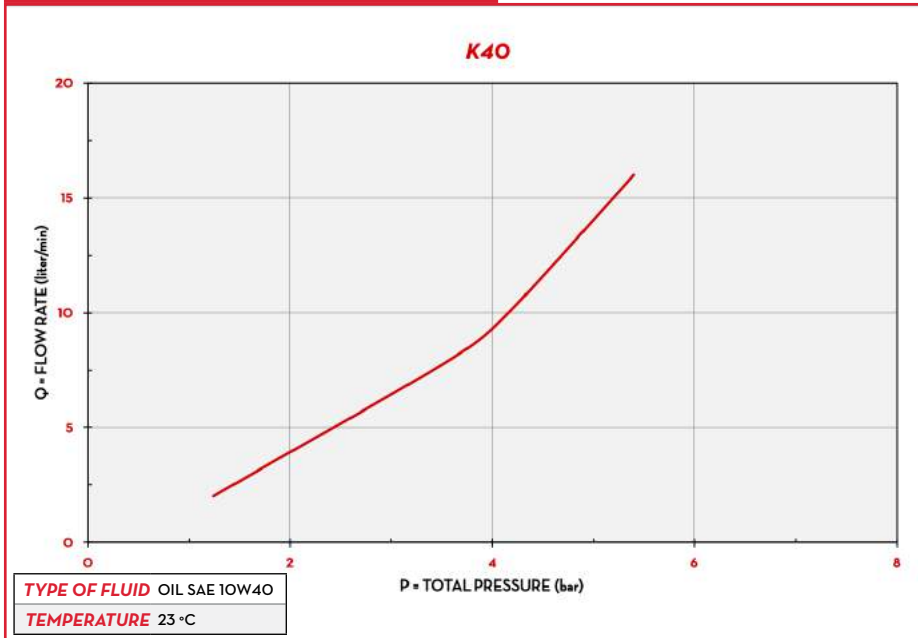


WATER



WINDSCREEN

## CHARTS



## IN THE BOX

- K40 METER
- INSTRUCTION MANUAL

## DETAILS



MECHANICAL COUNTER

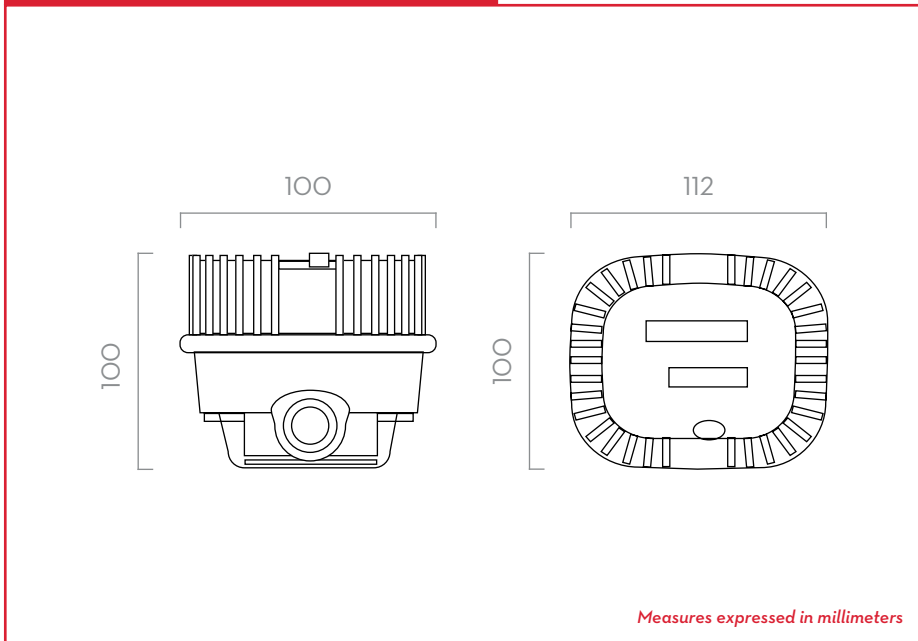


TOTAL PARTIAL RESETTING



OVAL GEAR

## DIMENSIONS



## MATERIALS

- BODY: ALLUMINIUM
- GEARS: TECHNOPOLYMER

## TECHNICAL DATA

CODE	DESCRIPTION	FLUIDS TYPE	FLOW-RATE		WORKING PRESSURE		INLET	OUTLET
			L/MIN	GPM	BAR	PSI		
FOO490020	K40 MECHANICAL OIL METER LT/BSP		1 - 30	0,26 - 7,8	70	994	1/2" BSP	1/2" BSP
FOO490010	K40 MECHANICAL OIL METER QT/NPT		1 - 30	0,26 - 7,8	70	994	1/2" BSP	1/2" NPT

UPON REQUEST AVAILABLE IN NPTF VERSION AND DISPLAY IN GALLON/QUARTER OR PINT

# K40